

# Portable X-ray Unit

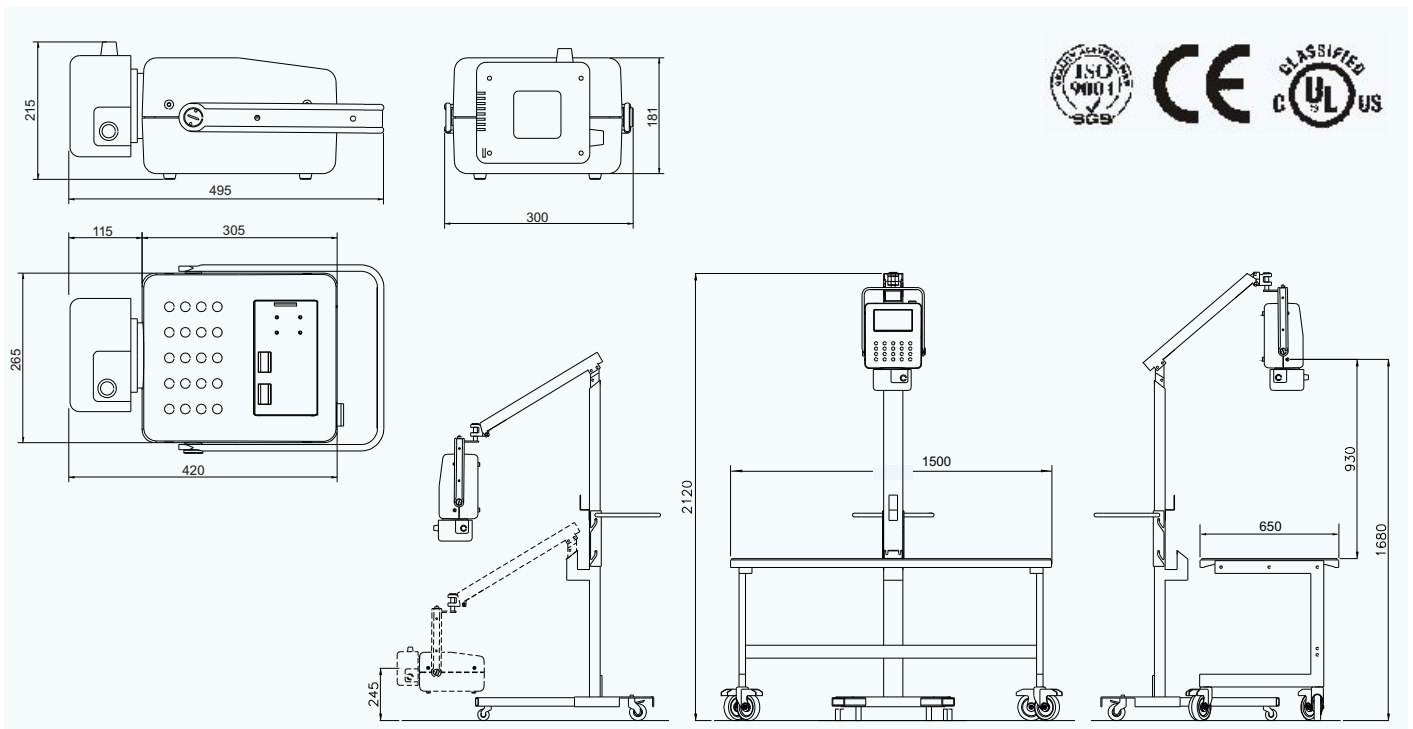
*SP - HF Series*  
*High Frequency Generator*



# Portable X-ray Unit

SPECIFICATIONS		High Frequency X-ray Generator	
MODEL	SP-HF- 2.8	SP-HF- 4.0	
<b>CONSTANT POTENTIAL kW RATINGS</b>	<b>2.8</b>	<b>4.0</b>	
kVp RANGE IN 1 kVp STEPS accuracy	40 to <b>110</b> 5%	40 to <b>115</b> 5%	
<b>HIGH FREQUENCY RIPPLE</b>	<b>300 kHz</b>	<b>300 kHz</b>	
mA STATIONS	5, 6.4, 8, 10, 12.5, 16, 20, 25, 32, 40, 50	5, 6.4, 8, 10, 12.5, 16, 20, 25, 32, 40, 50, 64, 80, 100	
EXPOSURE TIME RANGE NUMBER OF TIME STATIONS	0.002 - 10 seconds 38 (in 25% steps)	0.001 - 10 seconds 41 (in 25% steps)	
mAs RANGE NUMBER OF mAs STATIONS accuracy	0.1 - <b>100 mAs</b> 31 (in 25% steps) 5%	0.1 - <b>200 mAs</b> 34 (in 25% steps) 5%	
X- RAY TUBE Stationary Anode TWO Focal Spots: Anode Heat Storage Capacity Target Angle	Yes 0.6 mm - 1.5 mm 40,000 HU 14°	Yes 0.6 mm - 1.5 mm 40,000 HU 14°	
POWER CORD EXPOSURE CORD	6 meters 3 meters		
LINE VOLTAGE	Single-Phase Line Automatic Regulation from 90 to 264 VAC - (50/60) Hz		
LINE POWER REQUIREMENTS Line Current at 110 VAC Line Current at 230 VAC	15 A 7 A	24 A 12 A	
WEIGHT (X-ray Unit only)	23 kg		

Specifications subject to change without notice



## SEDECAL

Pelaya, 9 - Polígono Industrial "Río de Janeiro"  
28110-Algete (Madrid) - SPAIN

### Offices:

Tel: (34) 91-628 0544 / 91-628 1592

Fax: (34) 91-628 0574

Email: [marketing@sedecal.com](mailto:marketing@sedecal.com)

### Factory :

Tel: (34) 91-629 0721

Fax: (34) 91-629 0783

Email: [manufacturing@sedecal.com](mailto:manufacturing@sedecal.com)

SEDECAL facilities



## SEDECAL USA

2910 N Arlington Heights Rd.  
Arlington Heights, Illinois 60004  
USA

Tel: 1 (847) 394 - 6960

Fax: 1 (847) 394 - 6966

Email: [sales@sedecalusa.com](mailto:sales@sedecalusa.com)